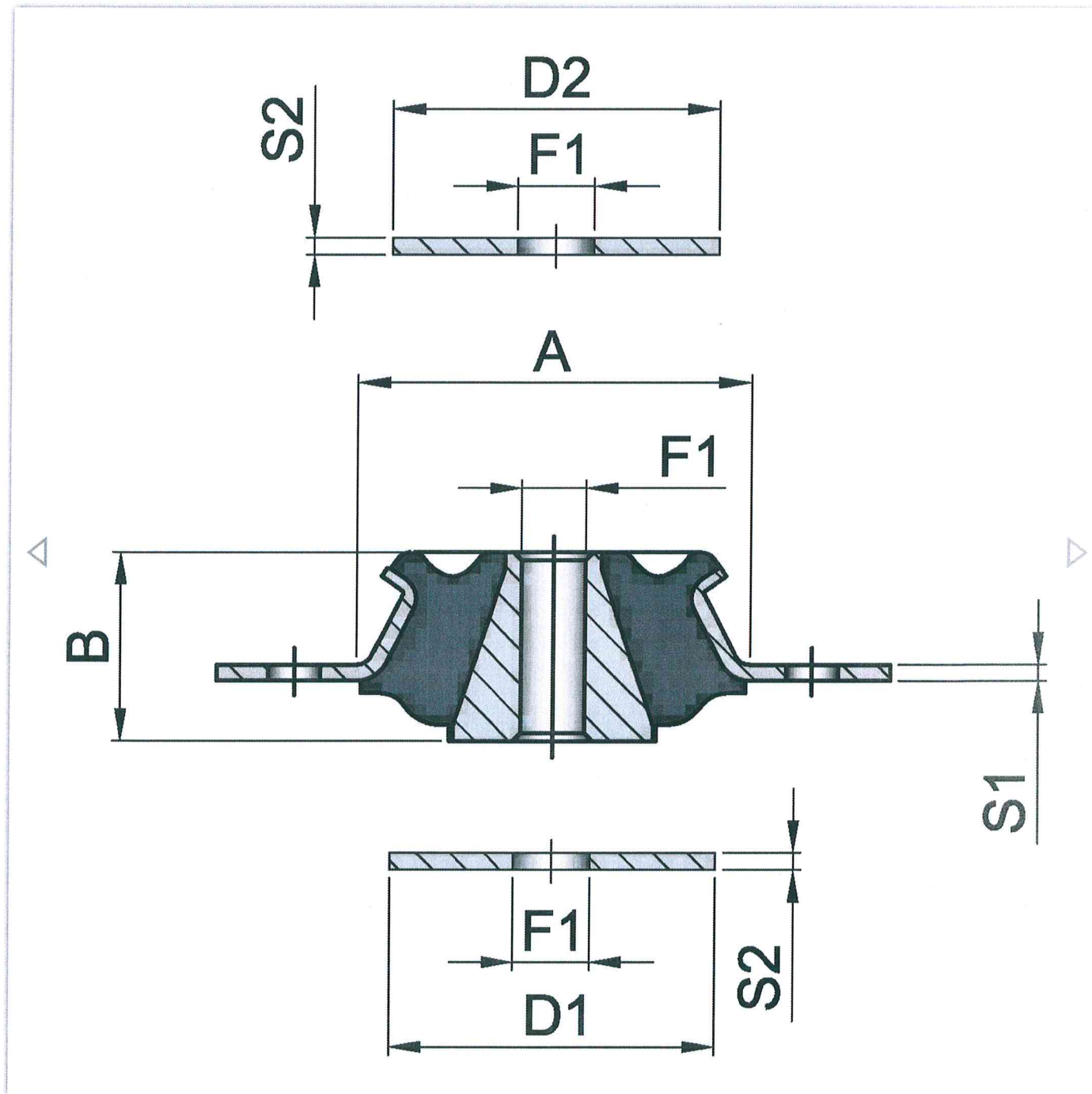


Articolo	Hardness (IRHD)	Cone									Washers				Average stiffness (Kg/mm)	Max. Load (Kg)	Max Deflection (mm)
		A	B	CF1	CF2	L1	L2	F1	S1	F2	D1	D2	S2	F1			
00062-2	70	46	23,5	64	-	84	50	8	2	6,5	40	40	2	8	36	108	3



The item code means the cone painted with washers. It is possible to order only the cone.

2 of 4

Articolo	Hardness (IRHD)	Cone									Washers				Average stiffness (Kg/mm)	Max. Load (Kg)	Max Deflection (mm)
		A	B	CF1	CF2	L1	L2	F1	S1	F2	D1	D2	S2	F1			
00062-2	70	46	23,5	64	-	84	50	8	2	6,5	40	40	2	8	36	108	3

Carico
Load

